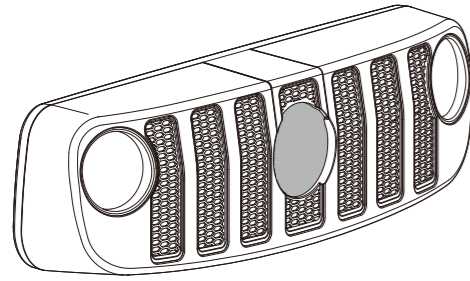




Rear view Mirror user's manual



Compatible car models

Jeep Wrangler(JL) : From Dec 2017~
It is compatible with four-door and two-door models.

Jeep Wrangler (4xe) : From 2021~

Jeep Gladiator(JT) : From Feb 2019~

* This product cannot be installed on vehicles equipped with display mirrors with a drive recorder.

Thank you for your purchase.
Please read this user's manual in its entirety before using the product.



azuto.co.jp/en/



Skills and knowledge are required to properly install this product.

If you are not confident that you can complete installation on your own, we recommend hiring a specialist.

*** Note to hired installation specialists**
Make sure to return this user's manual to the owner after installation.

Contact Information for Product-related Inquiries

Customer Service Center E-mail : azuto-mk@seikosangyo.co.jp 561-1, Komatsugawa, Yoshikawa-shi, Saitama, 342-0043, Japan
azuto.co.jp/en/

* Jeep is a registered trademark of Stellantis N.V.
* AZUTO is a registered trademark of SEIKOSANGYO CO., LTD.
* Planning, Design and Quality control for this product were carried out in Japan.
* Product specifications and appearance are subject to change without prior notice.
* All other product names, etc. used in this document are the trademark or registered trademark of their respective owners.

Main material PC-ABS

AM-1 Made in CHINA

Introduction This product is packaged in an assembled state to prevent damage.

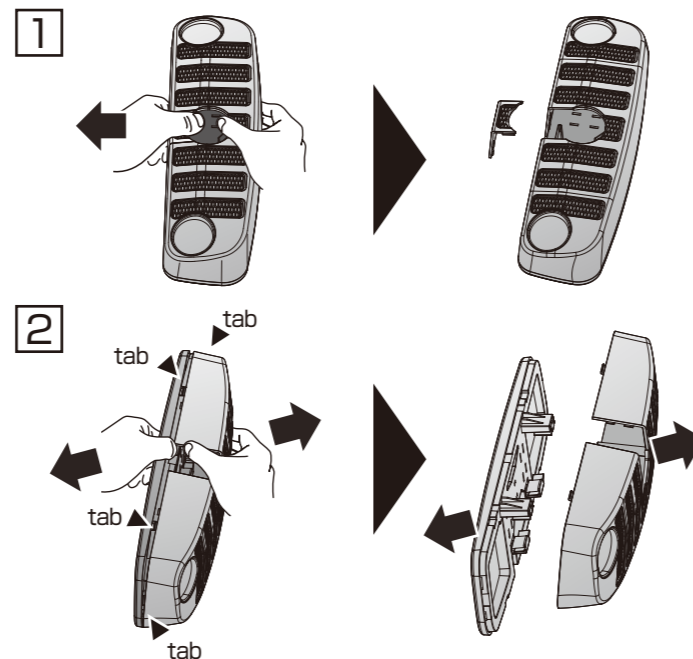
We strongly recommend that the following "preparations" be performed in a place where the product will not break even if dropped (e.g., on a seat).

Preparations

Separate the lid, front cover, and mirror body by following steps 1 and 2 below.

Notice: The interlocking tabs are tight, so please be careful not to drop it.

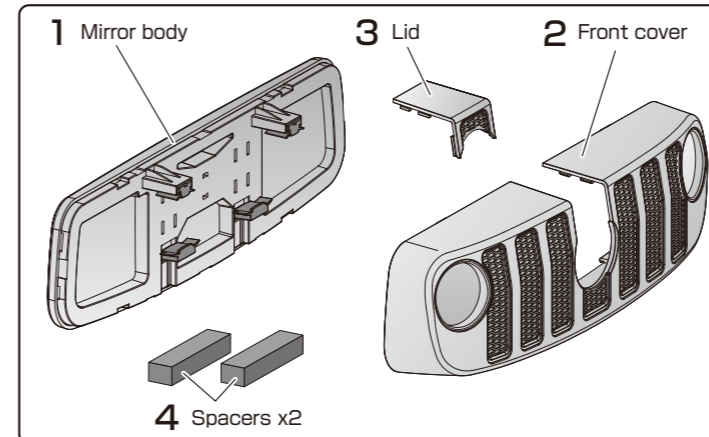
- 1 Firmly grasp the front cover and the mirror body, hook your finger into the round hole, and pull in the direction of the arrow to remove the lid.
- 2 Firmly grip the front cover and the mirror body, then remove the tab on the upper side, and pull it off at a slight diagonal angle. There are two tabs on both the upper, lower and sides.



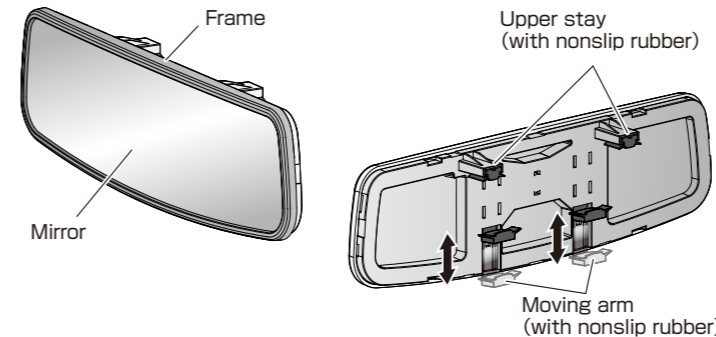
Parts

Please check to make sure that all parts shown below are present.

1	Mirror body	1 pcs.
2	Front cover	1 pcs.
3	Lid	1 pcs.
4	Spacers(With adhesive tape)	2 pcs.



Names of parts



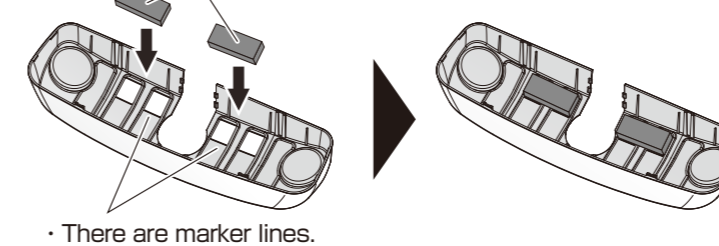
Notes: When installing to a (manual) rear view mirror with an dimming lever

* The following procedure is not necessary for automatic dimming mirrors, so please proceed to "Installation guide".

● **Rear view mirror with an dimming lever is compact and require spacers.** Please be sure to attach this product to the position specified below before beginning the installation process.

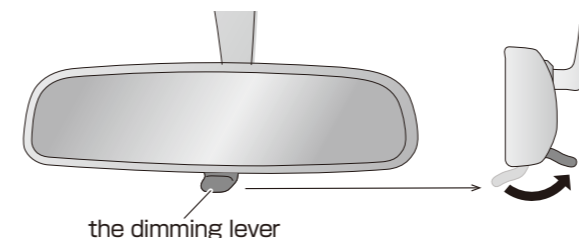
* This is to prevent any wobbling when adjusting the position.

Spacers : Peel off the release paper of the adhesive tape, and apply the spacer to the front cover.



● Please tilt the dimming lever toward the rear.

* When positioned at the front, it interferes with the installation of the Front cover.

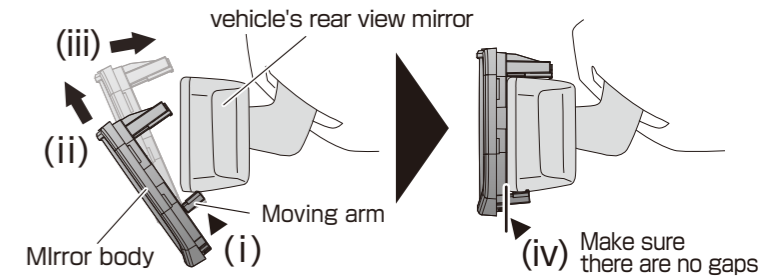


Installation guide

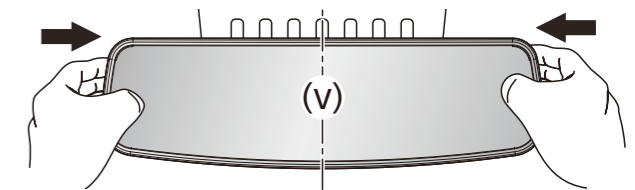
1. Please pull the mirror's moving arm to check the spring tension.
* This action is a preliminary check to prevent the product from slipping out of your hands and falling during installation.

2. Follow steps (i) to (v) below to install.

- (i) Hook the moving arm onto the underside of the vehicle's rear view mirror.
- (ii) Pull the mirror body upward.
- (iii) The upper stay holds the vehicle's rear mirror between the upper stays.
- (iv) Please ensure that the product fits snugly against the vehicle's rear view mirror with no gaps.

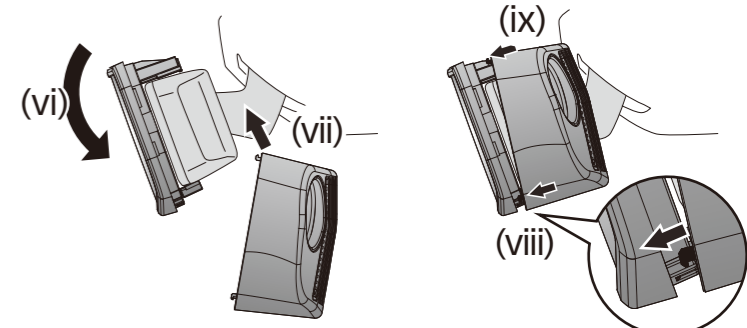


(v) Please align the product as centrally as possible from left to right.
* Please make sure to use both hands.

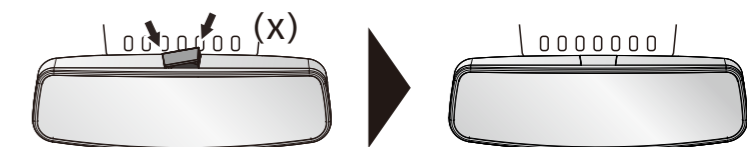


3. Attach the front cover and the lid according to steps (vi) through (x) below.
(vi) Please adjust the mirror facing downward as much as possible.
(vii) Pass the front cover through the gap from below, then place it over the Mirror body.

(viii) Align the lower tabs first and snap them into place.
(ix) Then Insert and secure the upper tabs.

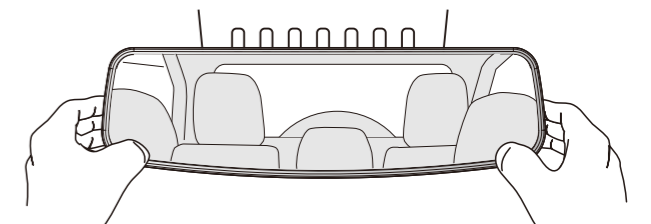


(x) Align the lid, and insert the tabs on left and right side to secure them.



4. Adjust the position of the rear view mirror, and you're all set.

* Please make sure to use both hands.



Removal Instructions

5. Please remove it in the reverse order of installation : (x) to (i).

When removing the cover of Sections (ix) and (viii), be cautious of the narrow gaps between the top and bottom to avoid injuring your hands or fingers.