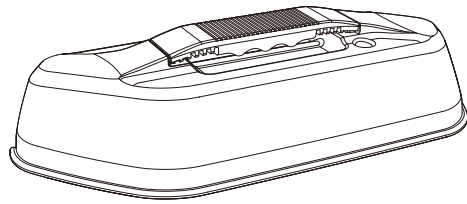




Rear window handle user's manual

It is compatible with both right-hand-drive and left-hand-drive models.



Rear wiper motor cover replaceable type

Compatible car models

Jeep Wrangler(JL) : From Dec 2017~

It is compatible with four-door and two-door hardtop models, SPORT/WILLYS/SAHARA/RUBICON/ALTITUDE/TIDE/3S2

Jeep WRANGLER (4xe) : 2021~

SAHARA/RUBICON/ALTITUDE

*It is cannot be installed on soft top vehicles.

Thank you for your purchase.
Please read this user's manual in its entirety before using the product.

Specialized skills and knowledge are required to properly install this product. If you are not confident that you can complete installation on your own, we recommend hiring a specialist.
* Note to hired installation specialists
Make sure to return this user's manual to the owner after installation.

This user's manual contains important warnings and user notices. Please keep it in an easily accessible location inside the vehicle to facilitate reference at any time.

特長

- This product converts the rear wiper motor cover into a rear window handle.
- This makes it easier to close the rear window on raised vehicles.
- This makes it possible to close the rear window without touching the glass surface, keeping the glass clean.
- Ideally suited to vehicles that have been raised 2inch to 5inch.
- * Varies depending on tire size.
- This lowers the height when opening and closing the rear window by about 3.3inch when the handle is stored, and 4.7inch when the handle is deployed.

⚠ WARNING

- SEIKOSANGYO CO., LTD. is not responsible for any accident, breakdown, malfunction or loss resulting from incorrect installation, disassembly or alteration of the product caused by failure to follow the warnings and user notices in this manual.

⚠ User Notice

- Do not install this product anywhere other than the prescribed location.
- Perform the installation in broad daylight. Installing this product involves removing screws from the vehicle and reusing them again. Take care to avoid losing them in this process.
- * Using screws of different dimensions and specifications may result in insufficient mounting strength being applied.
- After installing, regularly retighten the bolts (once per 320 to 640 miles). Take particular care after driving over rough terrain. This product is dangerous if it comes loose and falls. Please retighten the bolts frequently to avoid this.
- The product may discolor or deteriorate due to the usage environment or aging.
- Refrain from strongly bumping or otherwise impacting this product, as doing so may cause damage and/or deformation to the product, the vehicle, etc.
- * As this product replaces the rear wiper motor cover, handle it with care when opening and closing.
- Store the rear wiper motor cover removed from the vehicle in a location where you will not lose it.
- While materials with outstanding heat-resistant and weather-resistant properties are used in this product, the product may deform or deteriorate due to conditions inside the vehicle in extreme heat or due to aging and other factors.



azuto.co.jp/en/



548MHG-041006A

Contact Information for Product-related Inquiries

Customer Service Center E-mail : azuto-mk@seikosangyo.co.jp
azuto.co.jp/en/

561-1, Komatsugawa, Yoshikawa-shi,
Saitama, 342-0043, Japan

SEIKOSANGYO CO., LTD.

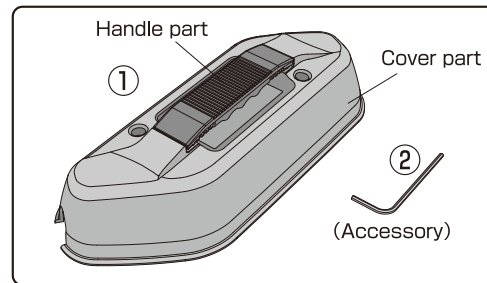
* Jeep is a registered trademark of Stellantis N.V.
 * AZUTO is a registered trademark of SEIKOSANGYO CO., LTD.
 * Planning, Design and Quality control for this product were carried out in Japan.
 * Product specifications and appearance are subject to change without prior notice.
 * All other product names, etc. used in this document are the trademark or registered trademark of their respective owners.

Main material ABS
TR-11 Made in CHINA

Parts

Please check to make sure that all parts shown below are present.

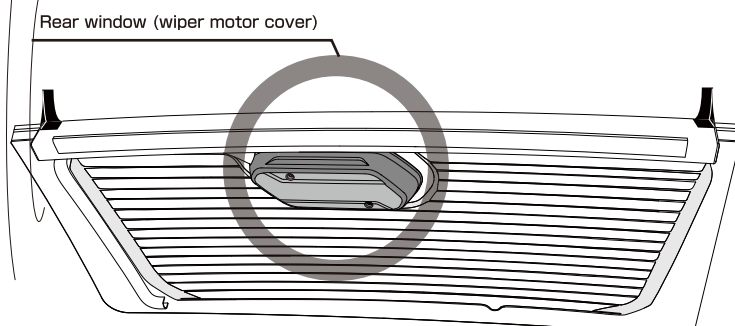
- ① Rear window handle (Product) 1 piece
- ② Hex wrench H3 (Accessory) 1 piece



Installation positions

Rear window wiper motor cover replaceable type

(As of Sep. 2022)

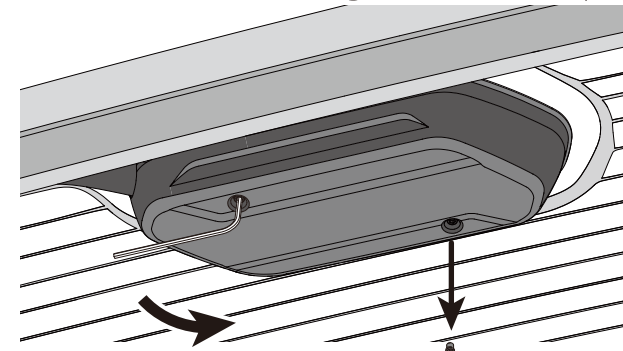


advice

It is recommended that you lift the rear window of the vehicle up before installing or removing this product.

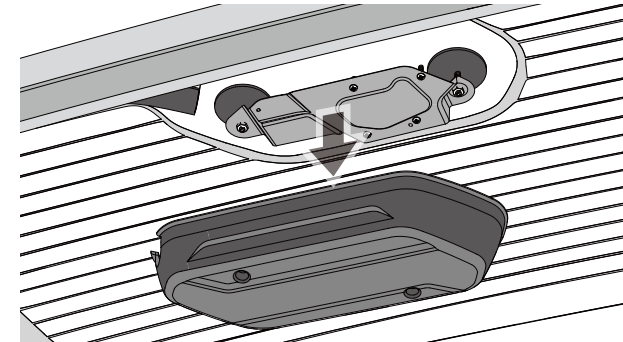
Installation procedure

1. Open the rear window of the vehicle and check the position of the rear wiper motor cover.
 2. Using the hex wrench H3 provided, complete steps (1), (2), (3), (4), and (5).
- (1) ● Remove the two screws using the hex wrench H3 provided.

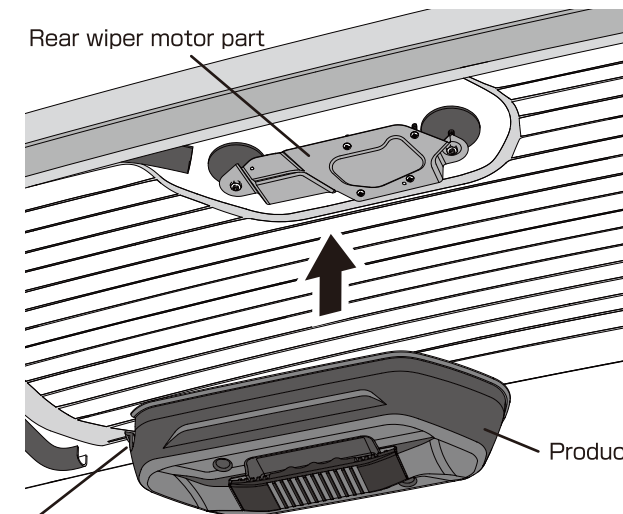


- Loosen the screws in an anti-clockwise direction to remove them.

- (2) ● Remove the rear wiper motor cover on the vehicle.

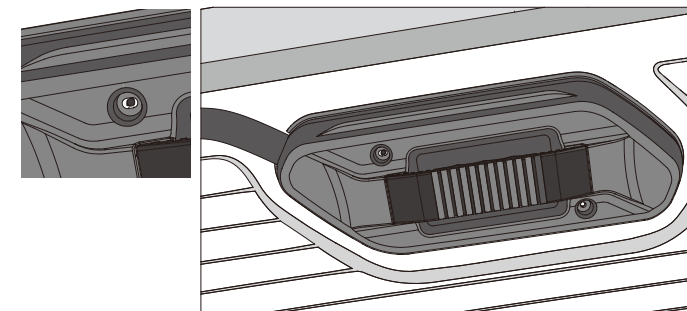


- (3) ● Place the product over the rear wiper motor part.

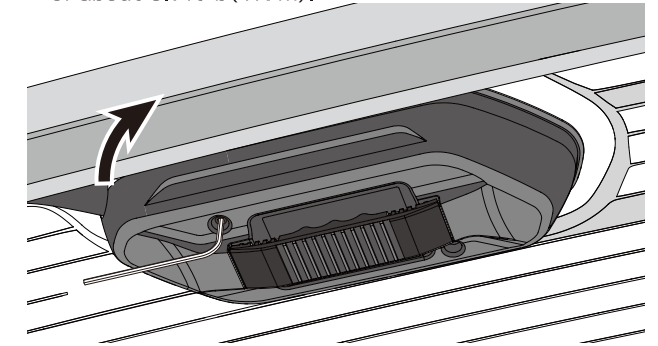


- Install the product with the U-shaped cut facing toward the left.

- (4) ● Line the product up with the screw holes.

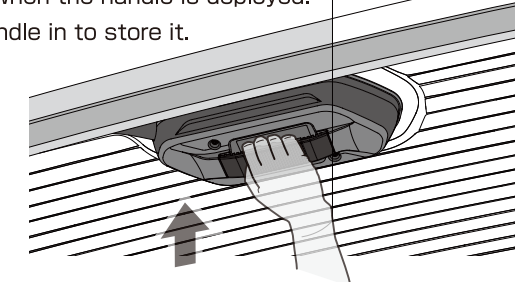


- (5) ● Using the screws removed in step (1), install the product. Tighten the two screws using the hex wrench H3.
 * Please be careful not to over-tighten the screws as this might damage the threads.
 * Please tighten the screws with a standard torque value of about 0.7ft·lb(1N·m).

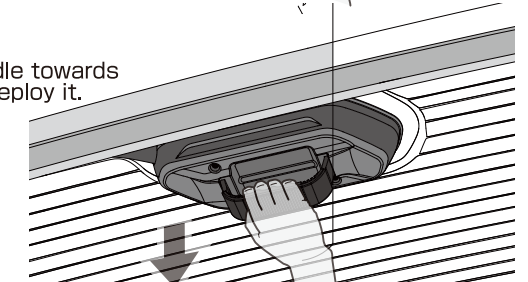


- Tighten the screws in a clockwise direction.
- * To remove, follow the installation procedure in reverse.

- This lowers the height when opening and closing the rear window by about 3.3inch when the handle is stored, and 4.7inch when the handle is deployed.
- Press the handle in to store it.



- Pull the handle towards yourself to deploy it.



Approximately 4.7inch when deployed.

