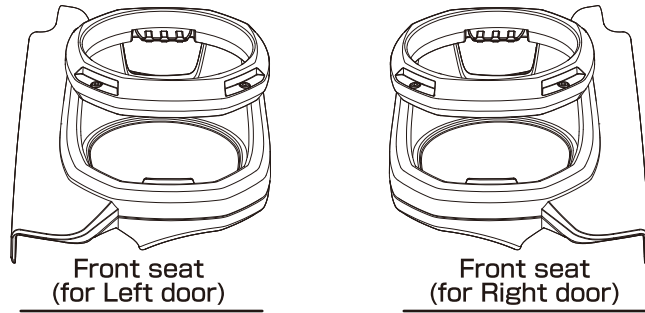




Cup holder user's manual

It is compatible with both right-hand-drive and left-hand-drive models.



azuto.co.jp/en/



548MHG036012A

Compatible car models

Jeep Wrangler(JL) : From Dec 2017~

It is compatible with four-door and two-door models.

SPORT/WILLYS/SAHARA/RUBICON/ALTITUDE/TIDE/392

Jeep WRANGLER (4xe) : 2021~

SAHARA/RUBICON/ALTITUDE

Jeep Gladiator(JT) : From Feb 2019~

SPORT/WILLYS/ALTITUDE/RUBICON/OVERLAND/MOJAVE

Thank you for your purchase.

Please read this user's manual in its entirety before using the product.

Specialized skills and knowledge are required to properly install this product.

If you are not confident that you can complete installation on your own, we recommend hiring a specialist.

*** Note to hired installation specialists**
Make sure to return this user's manual to the owner after installation.

This user's manual contains important warnings and user notices. Please keep it in an easily accessible location inside the vehicle to facilitate reference at any time.

⚠ WARNING

- To ensure user safety, the driver should refrain from inserting and removing beverage containers when the vehicle is in motion.
- SEIKOSANGYO CO., LTD. is not responsible for any accident, breakdown, malfunction or loss resulting from incorrect installation, disassembly or alteration of the product caused by failure to follow the warnings and user notices in this manual.

⚠ User Notice

- This product is intended to serve as a cup holder that attaches to the door in Compatible car models. It is not intended for any other purpose.
- SEIKOSANGYO CO., LTD. takes no responsibility, and will pay no damages/compensation, for any irregularity causing vehicle breakdown, malfunction or damage (breakage, scratches, discoloration, marks, etc.) that occurs upon product.
- Drinks equal to or larger than 3.07 inches (78 mm) in diameter will not fit inside this product.
- Do not insert anything except drink containers in this product. The maximum permissible weight for a drink container is 30oz(850g).
- Do not insert anything larger than a 30oz(850 mL) plastic drink bottle, as doing so may cause the product to fall off and/or cause damage.
- Drink containers within the maximum weight limit may not fit firmly into this product due to their shape. Make sure the container sits securely in the cup holder upon insertion, and refrain from using the product if the drink container does not sit securely.
- Tall drink containers may interfere with the assist grip when taking the drink container in and out of the holder.
- Bumpy roads, sharp turns and other such factors may cause drinks to fall out of the cup holder. Please exercise caution.
- When installing the drink holder on the passenger seat of a right-hand-drive car or left-hand-drive car, placing a large drink container in the holder may block about 1/3 of the inside view of the side mirror.
- If such a large drink impedes driving, please move your drink to the center console cup holder for safety reasons.
- SEIKOSANGYO will not be held responsible or compensate for any damage caused by this product or any stowed item falling.
- Do not leave drinks unattended in the cup holder for long periods of time, as hot temperatures may lead to container rupture.
- SEIKOSANGYO will not be held responsible or compensate for any damage caused by the product, beverages, stored items, etc. falling or spilling during use.
- If, after adjusting the steering wheel position, the distance between this product and any controls is too short and the driving operation may be hindered, do not use this product.
- Adhere the product in position on a warm day.
- Be aware that the adhesive strength immediately after adhering the product is not very strong
- The adhesive strength of the double-sided tape is at its strongest 24 hours after adhering the product.
- The product may discolor or deteriorate due to the usage environment or aging.
- Refrain from strongly bumping or otherwise impacting this product, as doing so may cause damage and/or deformation to the product, the vehicle, etc.

Care instructions

- If the product gets dirty, use a soft cloth that has been wrung out tightly to remove the dirt.
- The silicon coaster can be removed for cleaning.
- The product may discolor or deteriorate due to the usage environment or aging.

Contact Information for Product-related Inquiries

Customer Service Center E-mail : azuto-mk@seikosangyo.co.jp
azuto.co.jp/en/

561-1, Komatsugawa, Yoshikawa-shi,
Saitama, 342-0043, Japan

SEIKOSANGYO CO., LTD.

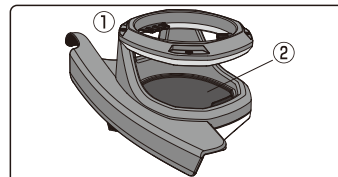
- * Jeep is a registered trademark of Stellantis N.V.
- * AZUTO is a registered trademark of SEIKOSANGYO CO., LTD.
- * Planning, Design and Quality control for this product were carried out in Japan.
- * Product specifications and appearance are subject to change without prior notice.
- * All other product names, etc. used in this document are the trademark or registered trademark of their respective owners.

Main material PC-ABS

TR-1 Made in CHINA

Parts

Please check to make sure that all parts shown below are present.



The illustration shows (for the Left door).

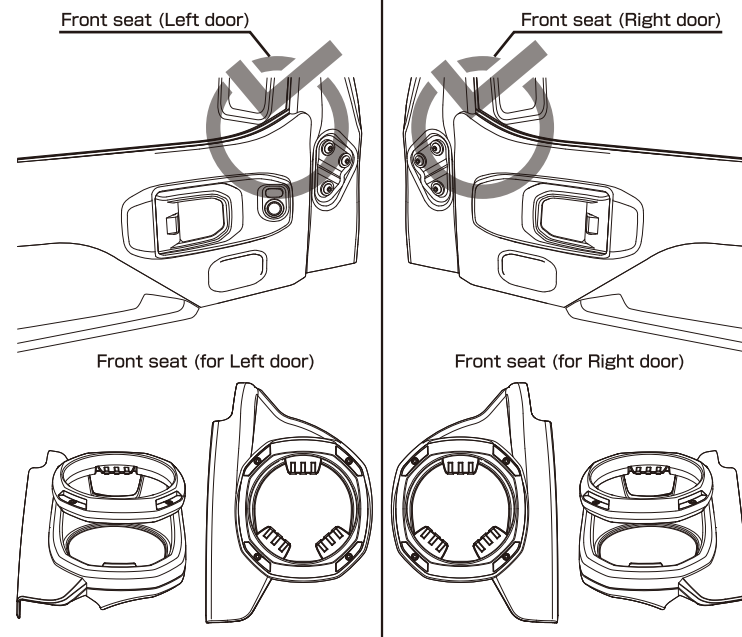
① cup holder	1 piece
② silicone coaster *	1 piece

* The silicon coaster is attached to the cup holder.

Installation positions

Installation position on a front door for left-hand and right-hand drive.

(As of Sep. 2022)



advice

We recommend that you lower the side windows of the vehicle before installing or removing the product. Doing so will help you to see what you are doing more clearly and facilitate the work to check the door trim part.

Installation procedure

- Carry out a simulation of the installation procedure once in order of steps (1), (3), (4), and (5).
 - After carrying out the simulation, degrease the inner door panel at the installation position with a neutral detergent, etc., and perform the installation work in the order of steps of (1), (2), (3), (4), and (5).
- * The illustrations explain how to install the product on the left door. Install the product on the right door in the same way.

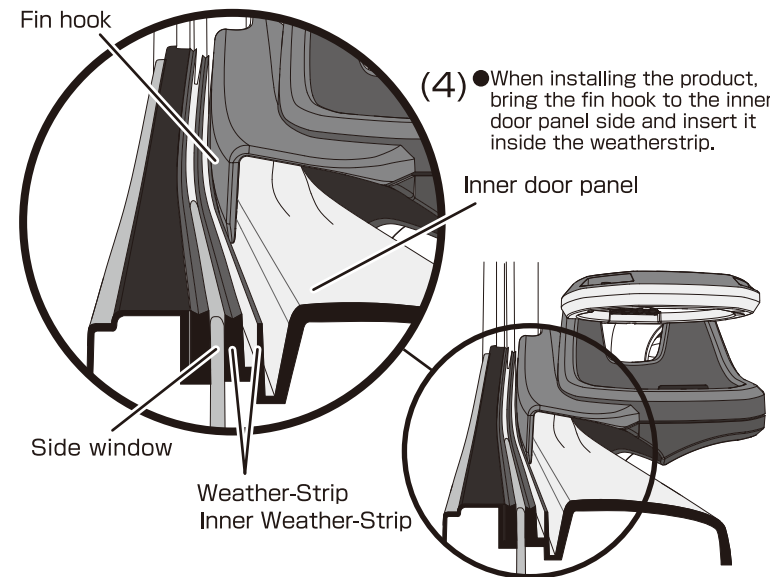
- (1) Thoroughly remove dirt, dust, oil, etc. from the installation location with a neutral detergent.

Lower the side windows

- (2) Peel off the release paper.

Release paper

- (3) Install the product so that it covers the gray part of the inner door panel as shown in the figure.



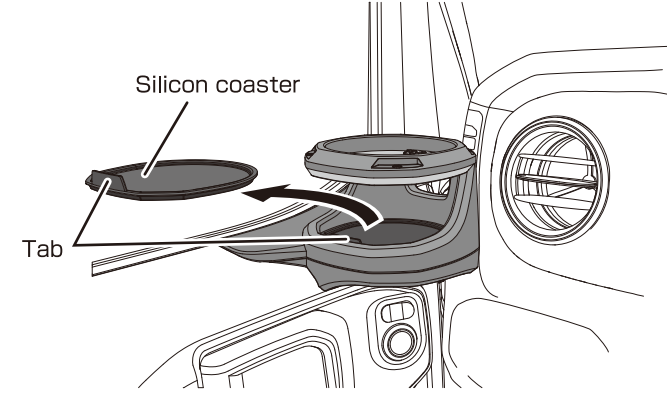
- (5) Firmly press in the cup holder.

⚠ User Notice

- Adhere the product in position on a warm day.
- Be aware that the adhesive strength immediately after adhering the product is not very strong.
- The adhesive strength of the double-sided tape is at its strongest 24 hours after adhering the product.

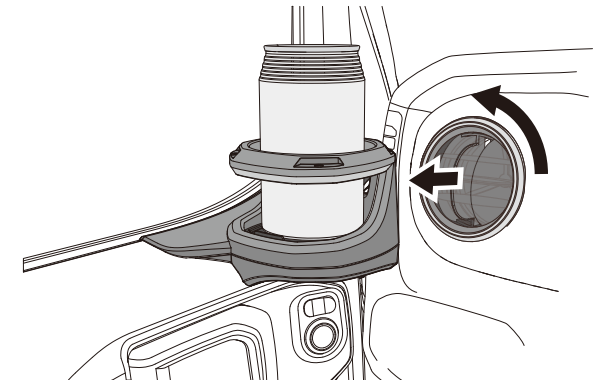
Silicon coaster Removal Instructions

- The silicon coaster can be removed for cleaning. Pull up the tab on the front of the product to take out the coaster and clean it with water. (see the figure below).



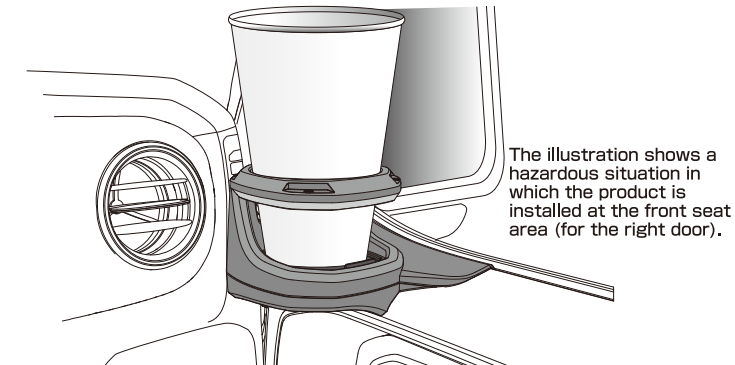
Wind direction adjustment

- To keep drinks hot or cold, tilt the louvers upward to direct hot or cold air toward the cup holder (see the figure below).



⚠ User Notice

- (When installing the drink holder on the passenger seat of a right-hand-drive car or left-hand-drive car, placing a large drink container in the holder may block about 1/3 of the inside view of the side mirror.
- If the drink interferes with safe driving, move your drink to the cup holder in the center console (see the figure below).



The illustration shows a hazardous situation in which the product is installed at the front seat area (for the right door).

Removal Instructions

- To remove the product, lightly tap with your fist in the direction of the arrow and then remove the double-sided tape.
- If the product loosens from the adhered surface, remove it by pulling it upwards.
- For the double-sided tape, a type of removable tape is used. SEIKOSANGYO, however, will not be held responsible or compensate for any damage, scratches, discoloration, marks, etc. that may occur as a result of using this product.

